

DIRECTIONAL  
 DRILLING/BORING  
 EQUIPMENT

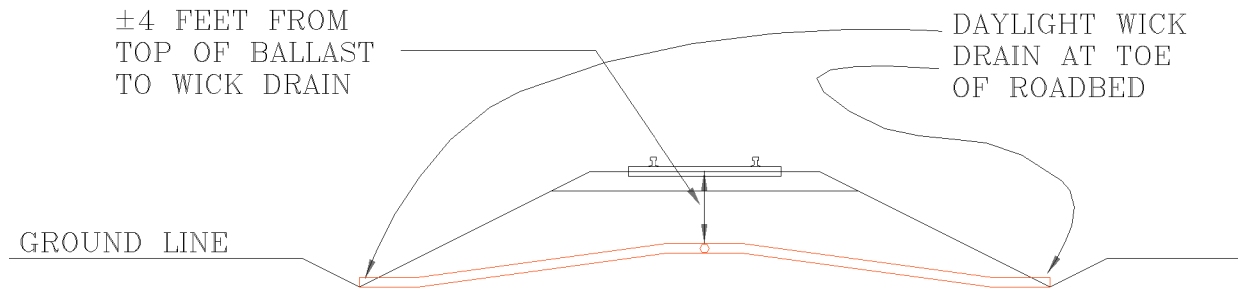
DAYLIGHT WICK DRAIN  
 AT TOE OF ROADBED

TYPICAL PLAN VIEW  
 NO SCALE

DAYLIGHT WICK DRAIN  
 AT TOE OF ROADBED



TYPICAL PROFILE VIEW  
 NO SCALE



±4 FEET FROM  
 TOP OF BALLAST  
 TO WICK DRAIN

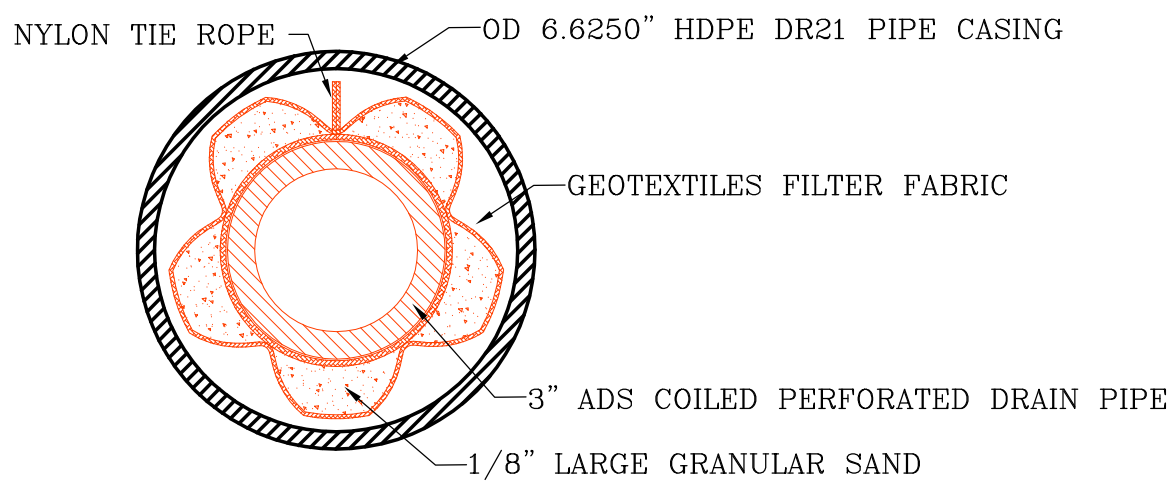
DAYLIGHT WICK  
 DRAIN AT TOE  
 OF ROADBED

GROUND LINE

TYPICAL END VIEW  
 NO SCALE

6.625"OD HDPE DR21  
 CASING TO BE REMOVED

WICK DRAIN ASSEMBLY TO REMAIN  
 AFTER REMOVAL OF HDPE CASING



Harr Technologies  
 Cutaway View of  
 Drainage  
 Wick View

NO SCALE  
 TO THE DRAWING

